

HOBACOL 200 MIKRO

Sheet Filter

The sheet filter HOBACOL 200 MIKRO is designed for small-volume filtration in the beverage industry (Wine, Spirits) and also to be used in the Pharmaceutical and chemical industry or cosmetics. The filter is made of:

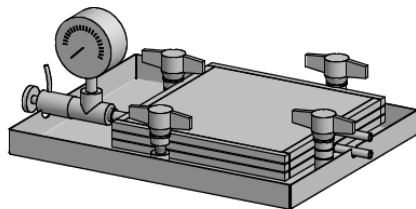
- stainless steel AISI 304 (1.4301) inlet-Chamber
- stainless steel AISI 304 (1.4301) outlet-Chamber
- inlet valve with Manometer
- drainage vessel
- elements retraction



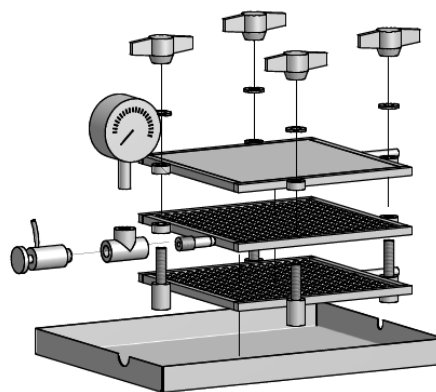
Picture 1: Hobracol 200 Mikro

TECHNICAL DATA:

Max. working pressure	2 bar
Max. working temperature	110°C
Number of Elements	1
Number of filtersheets	2
Max. output / hour	65 l
Filterarea	0,065 m ²
Size of the filtersheets	200x200 mm
Inlet / outlet	DN8





Picture 2: Hobracol 200 Mikro (actual version)



Picture 3: Hobracol 200 Mikro (act. version breakup)

Hobra – Školník s.r.o
Smetanova ulice
550 01 Broumov
Czech Republic
T: +420 491 580 111
F: +420 491 580 140
E: hobra@hobra.cz
W: www.hobra.cz

Certifikace:
ISO 9001 
ISO 14001 

For more detailed information please contact our sales specialists. All necessary contact information is available at www.hobra.cz.

